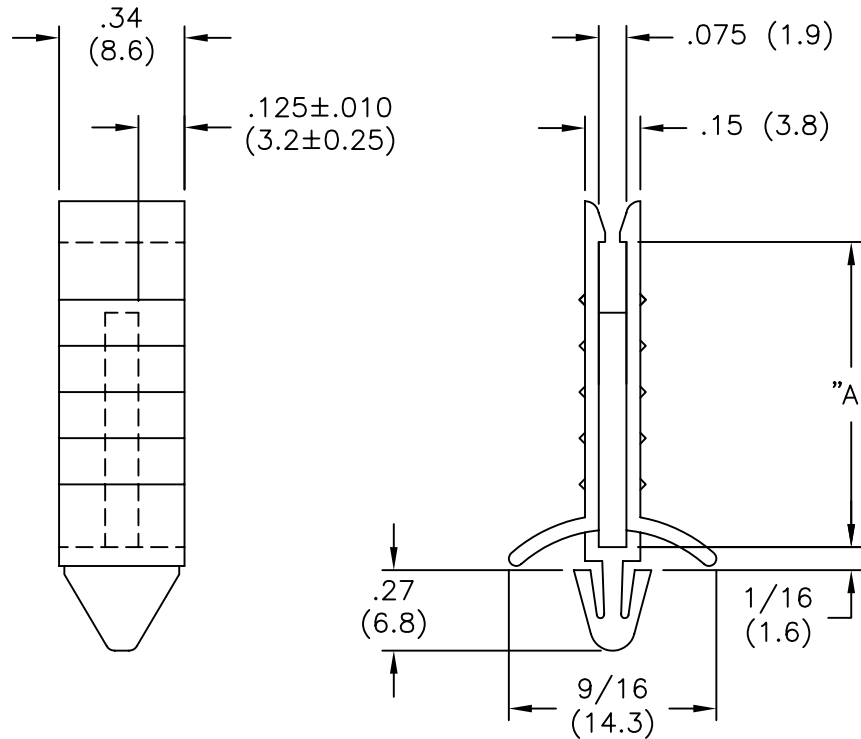
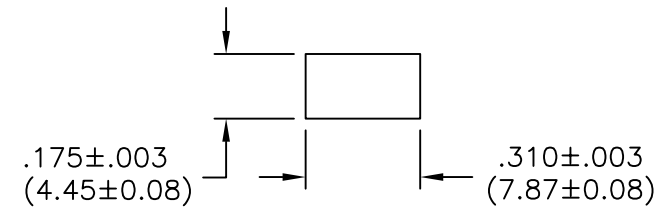


PART NO.	"A"±.010
LCBG-1-01	.880 (22.4)
LCBG-1.5-01	1.375 (34.9)
LCBG-2-01	1.870 (47.5)
LCBG-3-01	2.875 (73.0)



RECOMMENDED MOUNTING HOLE



BOARD THICKNESS: .030-.070 (0.76-1.78)

NOTES:

- MATERIAL: NYLON 6/6 (RMS-01).
FLAME RETARDANT NYLON (RMS-19).
AVAILABLE BY SPECIAL ORDER ONLY.
- COLOR: NATURAL.

F CREATED SEPARATE DWG FOR LCBG-T SM. 12.03.01			TITLE: LOCKING CIRCUIT BOARD GUIDE				DWG IN IN (MM)		FINAL	
E CHANGED FILE NUMBER SM 05.11.01			TOLERANCES UNLESS NOTED		FILE # LCBG	DWN: P.B.	APP:	FINAL		
D P/N CHANGED FOR ALL LCBG-XT JL 12.30.99			.XX=±.010		MAT'L: SEE NOTES	DT: 06-27-94	DT:	PART #		
C CORRECTED VARIOUS DIMS & TOLERANCES MO 1/16/98			.XXX=±.005		RE: RICHCO, INC.	RICHCO INC.		SEE NOTES		
B MAT'L RMS-19 ADDED. J.L. 12.29.97			FRAC=±1/64		PO BOX 804238, CHICAGO, 60680		PRINT TYPE		CA	
A LCBG-xx-01 TOP ADDED. 01-15-97			ANG=±1°		(773) 539-4060					
REV DESCRIPTION ENGR DATE										